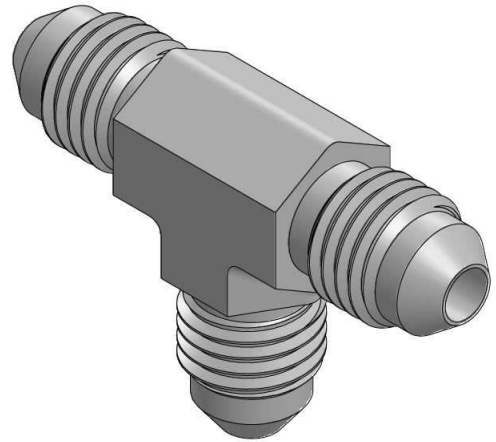
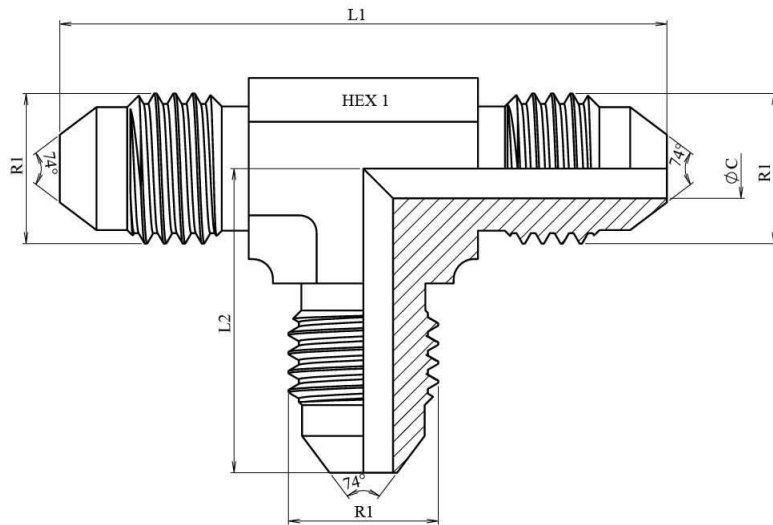


Union Tee male JIC 37°

Mild Steel



Part n°	ØD1	ØD2	R1	L1	L2	HEX 1	ØC
S50506	6	1/4	7/16" 20h UNF	45	22,5	12	4,4
S50508	8	5/16	1/2" 20h UNF	53	26,5	14	6
S50510	10	3/8	9/16" 18h UNF	54	27	14	6
S50512	12	1/2	3/4" 16h UNF	64	32	19	9,5
S50516	14-15-16	5/8	7/8" 14h UNF	78	39	24	12,3
S50520	18-20	3/4	1"1/16 12h UNF	84	42	27	15,5
S50525	25	1	1"5/16 12h UNF	100	50	36	21,5
S50532	30-32	1 1/4	1"5/8 12h UNF	105	27,5	46	27,5
S50538	38	1 1/2	1"7/8 12h UNF	118	59	50	33,5

The material can be provided with imperial hexagons